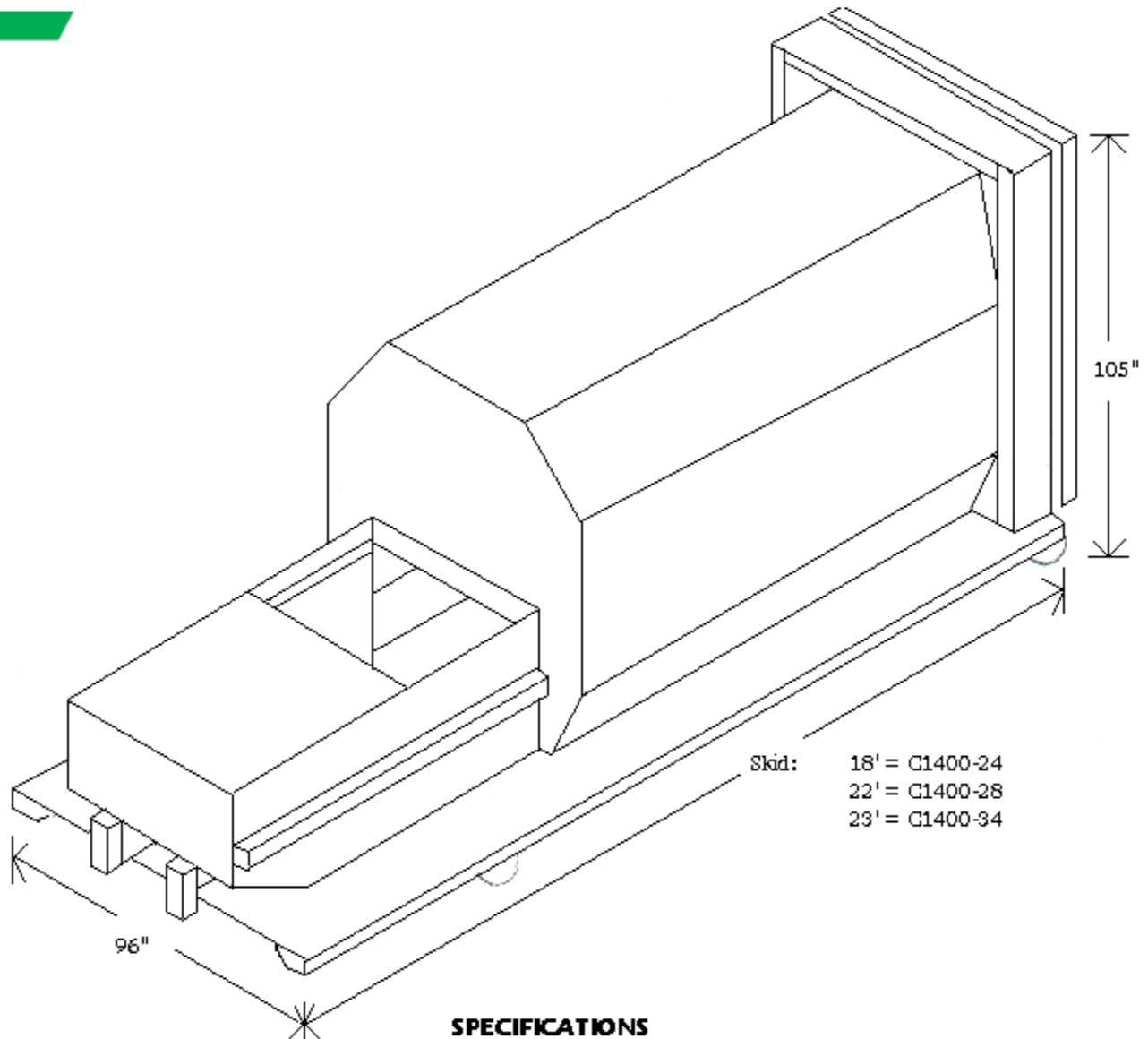




HYDRA-PAK Model C1400



SPECIFICATIONS

MECHANICAL

Weight:	10,000 lbs.
Ram Face:	24" x 60"
Chamber:	1.5 Cu. Yd.
Clear-Top Opening:	38" x 60"

HYDRAULICS

Compaction Force:	38,500 lbs.
Cycle Timer:	40 seconds
Pressure:	1,800 psi
Cylinder:	5 inch

ELECTRICAL

Motor:	10HP 3 Phase
Voltage:	208-416-575 Volts
Control:	110 Volts
E-Stop/Keyed On-Off/Start/Power On & Full Indicators	

**Specifications are approximate and subject to change without notification.
Dimensions will vary with options in Compactor and Container size.**

TOPLINE RECYCLING EQUIPMENT LTD.

6175 Kestrel Road

Mississauga, Ontario L5T 1Z2

905-829-5030 / 1-800-391-5030

email: info@toplinerecycling.com